

Product data sheet

Characteristics

SSRPP8S10A1

solid state relay - panel mounting - input 90-280 V AC, output 24-280 V AC, 10A

Price*: 43.10 USD



Commercial status

This Product is Obsolete : JAN 29, 2021

⚠ This Product is Obsolete

Main

Range of product	Zelio Relay
Product or component type	Solid state relay
Device short name	SSR
Phase	1 phase
Mounting support	Panel
Line Rated Current	10 A
Output voltage	24...280 V AC
[Uc] control circuit voltage	90...280 V AC

Complementary

Contacts type and composition	1 NO
Tightening torque	<= 1.1 N.m for input <= 2.2 N.m for output
Local signalling	For input status LED (green)
Switching voltage	90 V AC turn-on 10 V AC turn-off
Input current limits	6 MA
Solid state output type	Zero voltage switching SCR output
Load current	0.15...10 A
Absolute maximum voltage	600 V
Surge current	120 A 16.6 ms
Maximum voltage drop	<1.6 V on-state
Thermal resistance	1.48 °C/W
Maximum I ² t for fusing	60 A ² .S 8.3 ms
Maximum leakage current	10 MA off-state
DV/dt	500 V/μs off-state at maximum voltage
Response time	0.5 cycle (turn-on) 0.5 cycle (turn-off)

Environment

Standards	UL E258297 IEC 60950-1 CSA LR 40487 IEC 62314
Marking	CE
IP degree of protection	IP20
Ambient air temperature for operation	-40...176 °F (-40...80 °C)
Ambient air temperature for storage	-40...257 °F (-40...125 °C)

Ordering and shipping details

Category	22375-INTERFACE MODULE(ABA,R,S)
Discount Schedule	CP2
GTIN	00785901693017
Package weight(Lbs)	0.26 Lb(US) (0.120 kg)
Returnability	No
Country of origin	MX

Packing Units

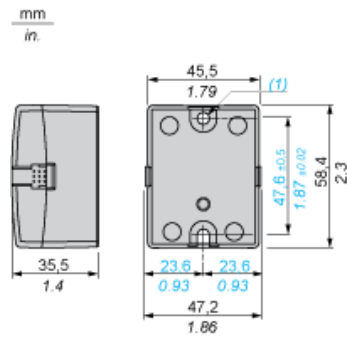
Package 1 Height	0.380 Dm
Package 1 width	0.650 Dm
Package 1 Length	0.480 Dm

Contractual warranty

Warranty	18 months
----------	-----------

Dimensions

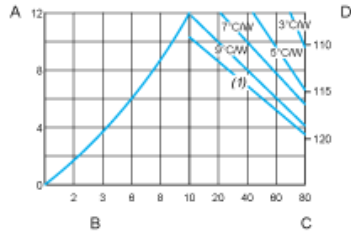
Panel Mounting



(1) $\text{Ø}4.9 \pm 0.25 \text{ mm} / \text{Ø}0.16 \pm 0.0098 \text{ in. hole}$

Thermal Derating Curves

10 A Relays



- A: Power dissipation
- B: Load current (Arms)
- C: Max. ambient temperature (°C)
- D: Base plate temperature (°C)
- (1) No heat sink

Note : These are typical curves, actual durability depends on load, environment, duty cycle, etc.

Product Life Status : **End of commercialisation**

SSRPP8S10A1 is replaced by the following product range:



60278

A complete range of innovative, smart and reliable solid state relays - SSL - SSM - SSP

Substitution date: |



SSP1A110M7T

Harmony, Solid state relay, 10 A, panel mount, zero voltage switching, thermal pad, input 90...280 V AC, output 24...300 V
Qty 1

Substitution date: |